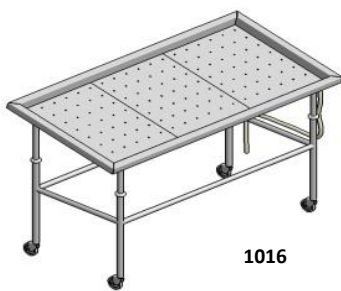


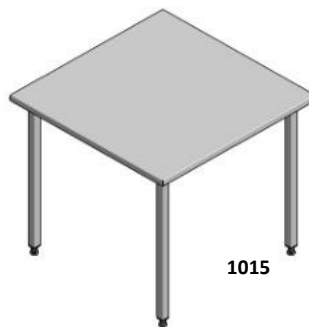
PRODUCT CARD

TABLES

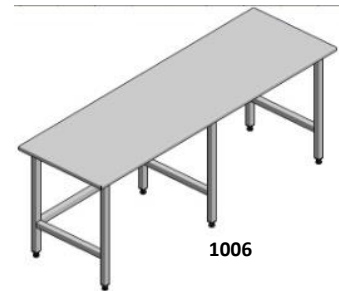
Our tables are made of stainless or acid-proof steel and are available in different sizes, shapes and configurations. We equip plants processing meat, dairy, fish as well as bakeries and pastry shops, hatcheries, companies operating within the medical industry.



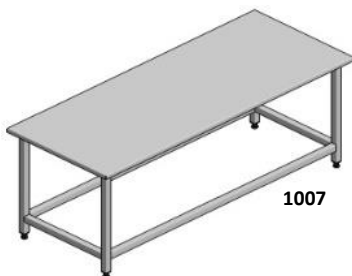
Fish table



workbench



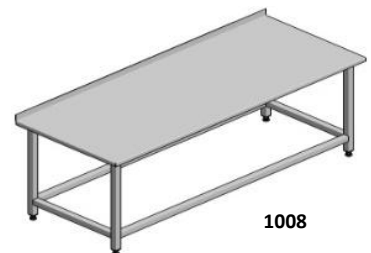
workbench



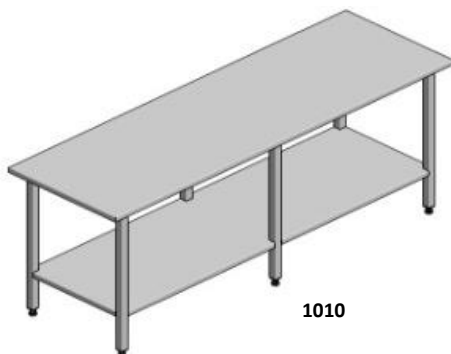
workbench



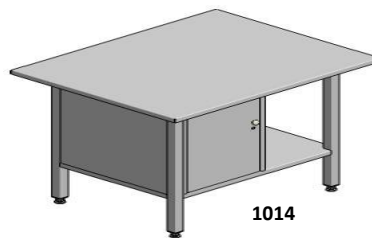
workbench with a plastic top



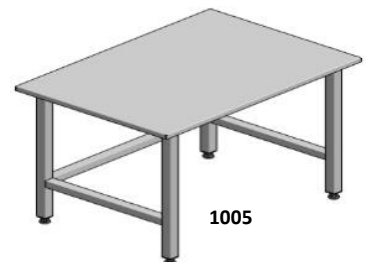
workbench with an edge turned up



workbench

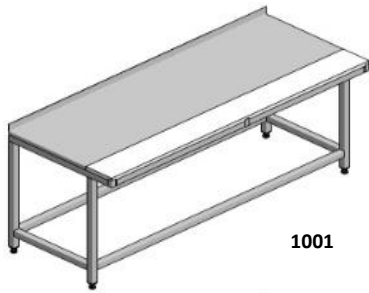


workbench with a cupboard



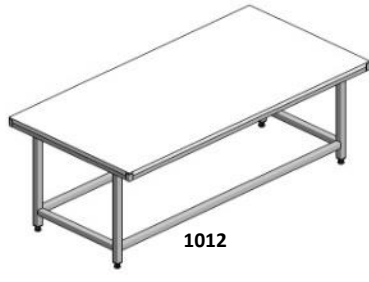
workbench

Our tables are made of hollow sections, with metal sheet or plastic tops. They have legs of adjustable height. The surfaces of the tables may be enclosed with a 40mm fence, they can also be equipped with shelves, drawers and cabinets according to individual customer's requirements



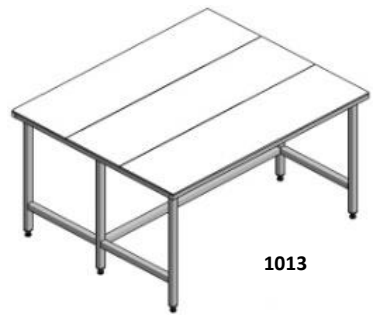
1001

worktable with plastic insert



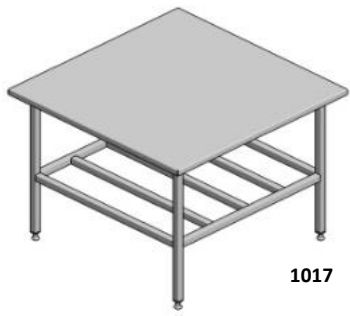
1012

workbench with a plastic top



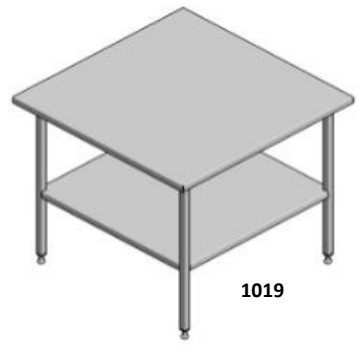
1013

workbench with a plastic top



1017

workbench with a shelf



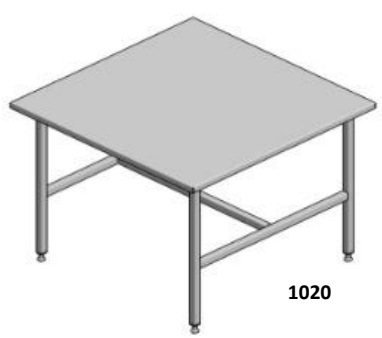
1019

workbench with a shelf



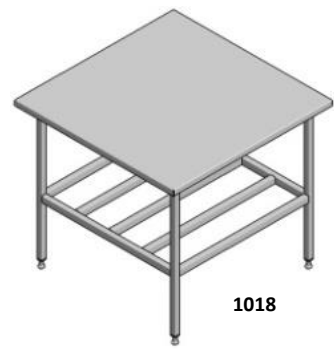
1011

workbench with a shelf



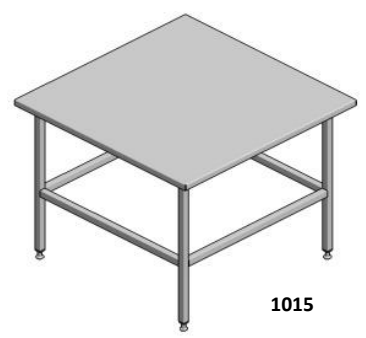
1020

workbench with a shelf



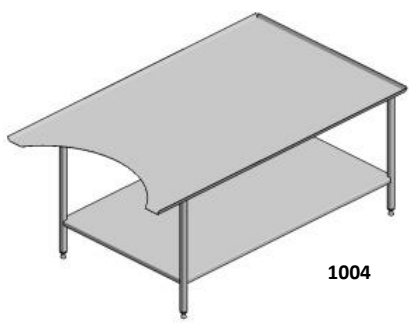
1018

workbench with a shelf



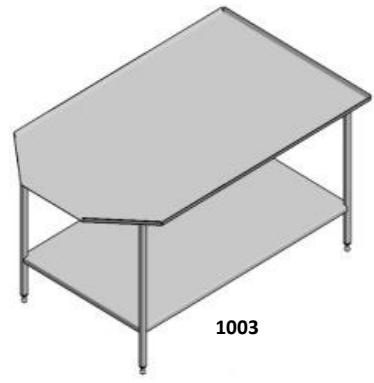
1015

workbench with a shelf



1004

table for the stuffer



1003

table for the stuffer

Create your table A+B+H	A	B	H	specific requirements
Symbol(dimencions)	600	1000		more strengthen, other configurations
Np.	700	11200		
1008 (600x100x750)	800	1200		
	900	1300		
	1000	1400	750	
	1100	1500	sitting mode	
	1200	1600		
	1300	1700	850 standing mode	
	1400	1800	mode	
		1900		
		2000		
		2100		
		2200		
		2300		
		2400		
		2500		
	2600			
	2700			
	2800			



WIBO-BT Monika Bober-Kuchta

ul. Kolejowa 20
13-124 Kozłowo k. Nidzicy
Poland

www.wibo-bt.com.pl

telefony/ phone numbers:

sekretariat / office: +48 89 626 75 09
dział handlu / sales: +48 89 626 76 76
+48 604 271 805, +48 606 839 232,
+48 506 199 472, +48 668 039 281

fax: +48 89 626 75 00

mail: poczta@wibo-bt.com.pl

